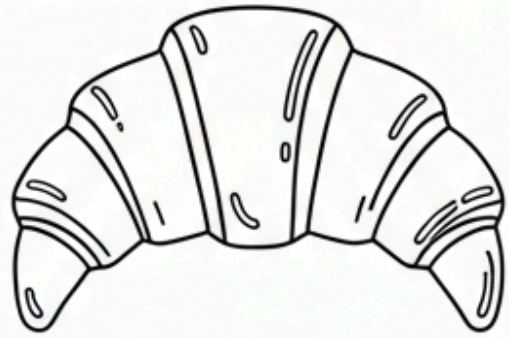
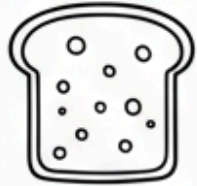


DAILY RITUAL RECIPE CARD

INGREDIENTS	DIRECTIONS	NOTES

THE SLOW MORNING BAKING LOG



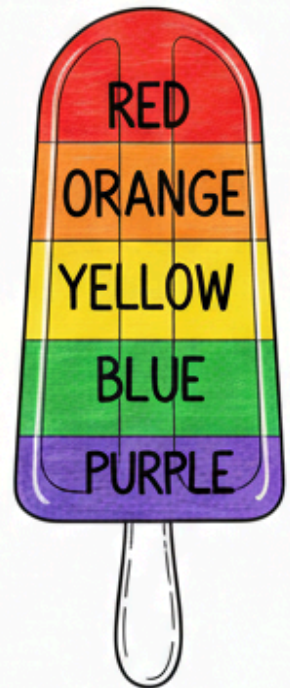
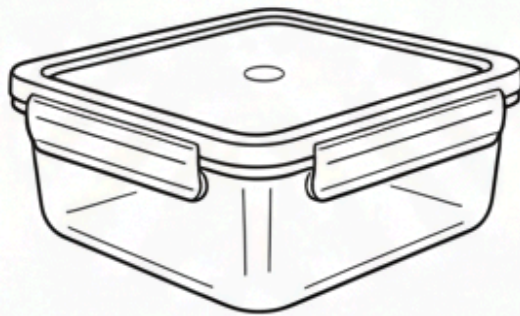
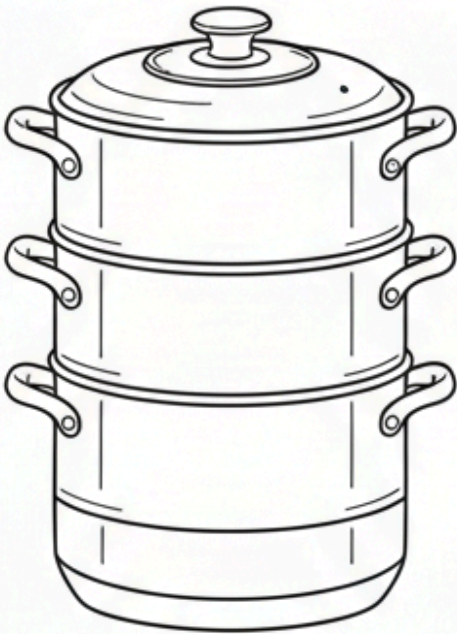
STARTER FEEDING

KNEAD TIME

PROOFING NOTES

STARTER FEEDING	KNEAD TIME	PROOFING NOTES

THE BATCH COOKING MASTER INVENTORY



CROP/IDEA	SOURCE	DESTINATION	NOTES

CROP/IDEA	DESTINATION

FAMILY HERITAGE RECIPE

The Story Behind This Dish



Ingredients

- _____
- _____
- _____
- _____
- _____
- _____
- _____

Directions

1. _____
2. _____
3. _____
4. _____
4. _____
0. _____
- _____



5-INGREDIENT FIX



Quick Directions

1. _____
2. _____
3. _____
4. _____
5. _____
4. _____
5. _____

THE RECIPE BLUEPRINT



Oven Temp



Tools Needed



Difficulty Level

DIRECTIONS & SKETCH

INGREDIENTS

NOTES